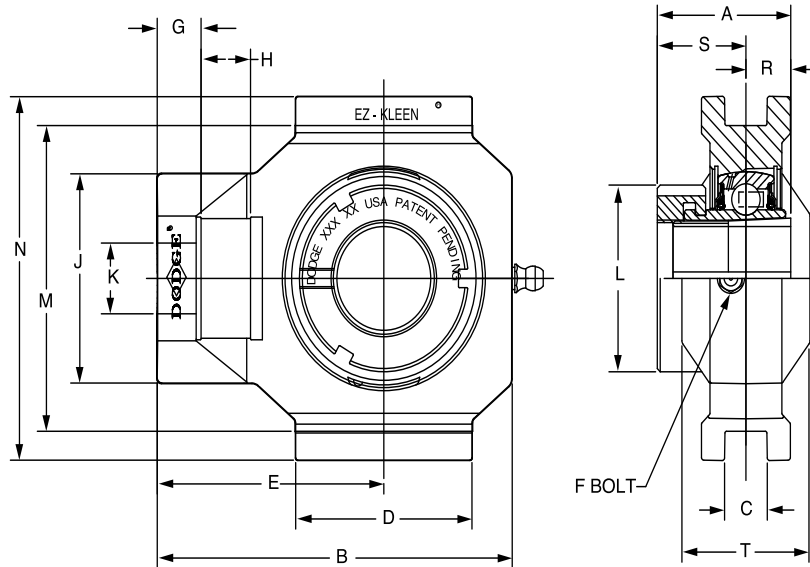
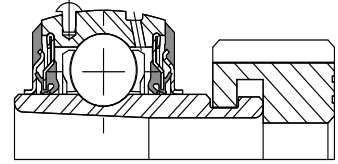




SELECTION/DIMENSIONS

E-Z KLEEN Mounted Bearings GTEZ NORMAL DUTY POLYMER HOUSED WIDE SLOT TAKE-UP BEARINGS



Series	Shaft Size	With Corrosion Resistant Insert		Unit without Adapter & Nut		Adapter & Nut Assembly	
		Part No.	Description	Part No.	Description	Part No.	Description
204	3/4 20mm	136315	WSTU-GTEZ-012-PCR	136327	WSTU-GTEZ-04-PCR	129967	AN-GT-04-012-CR
		136323	WSTU-GTEZ-20M-PCR			129980	AN-GT-04-20M-CR
205	1 25mm	136316	WSTU-GTEZ-100-PCR	136328	WSTU-GTEZ-05-PCR	129968	AN-GT-05-100-CR
		136324	WSTU-GTEZ-25M-PCR			129981	AN-GT-05-25M-CR
206	1-1/8	136317	WSTU-GTEZ-102-PCR	136329	WSTU-GTEZ-06-PCR	129969	AN-GT-06-102-CR
	1-3/16	136318	WSTU-GTEZ-103-PCR			129970	AN-GT-06-103-CR
	1-1/4	136319	WSTU-GTEZ-104S-PCR			129971	AN-GT-06-104S-CR
	30mm	136325	WSTU-GTEZ-30M-PCR			129982	AN-GT-06-30M-CR
207	1-1/4	136320	WSTU-GTEZ-104-PCR	136330	WSTU-GTEZ-07-PCR	129972	AN-GT-07-104-CR
	1-3/8	136321	WSTU-GTEZ-106-PCR			129973	AN-GT-07-106-CR
	1-7/16	136322	WSTU-GTEZ-107-PCR			129974	AN-GT-07-107-CR
	35mm	136326	WSTU-GTEZ-35M-PCR			129983	AN-GT-07-35M-CR

FEATURES/BENEFITS PAGE B2-3	HOW TO ORDER/NOMENCLATURE PAGE B2-8	SELECTION/DIMENSIONS PAGE B2-24	ACCESSORIES PAGE B2-77
--------------------------------	--	------------------------------------	---------------------------

SELECTION/DIMENSIONS



E-Z KLEEN Mounted Bearings

GTEZ NORMAL DUTY POLYMER HOUSED WIDE SLOT TAKE-UP BEARINGS

Bearing Reference Guide

ULTRA KLEEN

E-Z KLEEN

Extreme Duty

Setscrew Ball Bearing

GRIP TIGHT

D-LOK Ball Bearing

Series	Shaft Size	Weight lbs kg	Take-Up Frame No. Ref.	A	B	C	D	E	F Thd Shaft	G	H
204	3/4	0.90	WS300	1.48	3.81	0.530	2.10	2.50	5/8	0.56	0.65
	20mm	0.40		37.6	96.8	13.46	53.3	63.5	15.9	14.2	16.5
205	1	1.20	WS300	1.46	3.97	0.530	2.20	2.56	5/8	0.56	0.65
	25mm	0.50		37.1	100.8	13.46	55.9	65.0	15.9	14.2	16.5
206	1-1/8	1.80	WS308	1.61	4.49	0.530	2.29	2.86	3/4	0.56	0.65
	1-3/16	1.70									
	1-1/4	1.60									
	30mm	0.80		40.9	114.0	13.46	58.2	72.6	19.1	14.2	16.5
207	1-1/4	2.40	WS308	1.62	4.99	0.530	2.25	3.10	3/4	0.56	0.65
	1-3/8	2.30									
	1-7/16	2.30									
	35mm	1.08		41.1	126.7	13.46	57.2	78.7	19.1	14.2	16.5

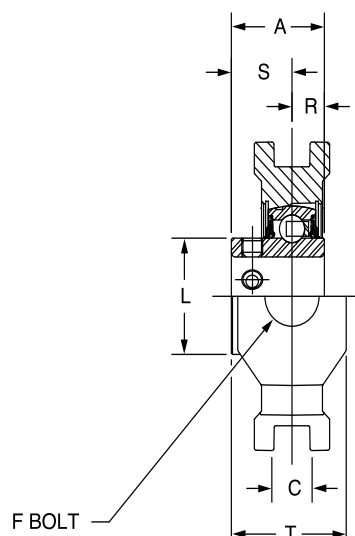
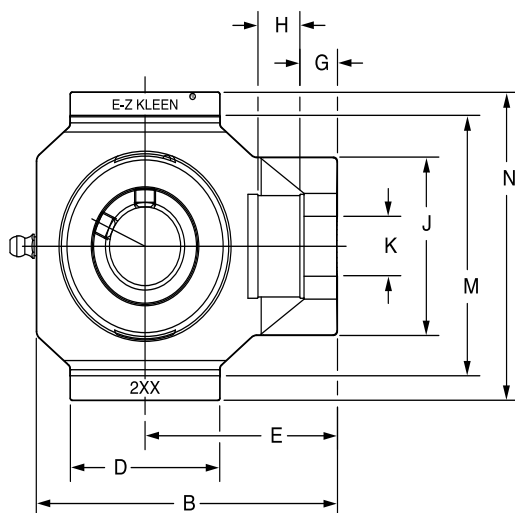
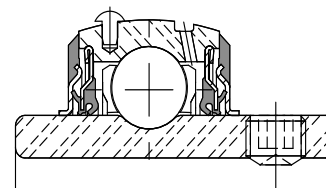
Series	Shaft Size	J	K	L	M	N	R	S	T	Z
204	3/4	2.10	0.71	1.50	3.015/2.985	3.63	0.46	1.02	1.38	1.73
	20mm	53.3	18.0	38.1	76.58/75.82	92.2	11.7	25.9	35.1	43.9
205	1	2.12	0.71	1.80	3.030/3.000	3.63	0.48	0.98	1.38	1.72
	25mm	53.8	18.0	45.7	76.96/76.20	92.2	12.2	24.9	35.1	43.7
206	1-1/8	2.41	0.81	2.08	3.525/3.495	4.20	0.52	1.09	1.62	1.88
	1-3/16									
	1-1/4									
	30mm	61.2	20.6	52.8	89.54/88.77	106.7	13.2	27.7	41.1	47.8
207	1-1/4	2.41	0.81	2.38	3.540/3.510	4.20	0.54	1.08	1.62	1.92
	1-3/8									
	1-7/16									
	35mm	61.2	20.6	60.5	89.93/89.15	106.7	13.7	27.4	41.1	48.8

FEATURES/BENEFITS PAGE B2-3	HOW TO ORDER/NOMENCLATURE PAGE B2-8	SELECTION/DIMENSIONS PAGE B2-24	ACCESSORIES PAGE B2-77
--------------------------------	--	------------------------------------	---------------------------



SELECTION/DIMENSIONS

E-Z KLEEN Mounted Bearings SCEZ NORMAL DUTY POLYMER HOUSED WIDE SLOT TAKE-UP BEARINGS



Series	Shaft Size	With Corrosion Resistant Insert		Standard Insert With Fingers	
		Part No.	Description	Part No.	Description
204	1/2	@	WSTU-SCEZ-008L-PCR*	@	WSTU-SCEZ-008L-P
	5/8	@	WSTU-SCEZ-010L-PCR*	@	WSTU-SCEZ-010L-P
	3/4	127539	WSTU-SCEZ-012-PCR	@	WSTU-SCEZ-012-P
	20mm	127574	WSTU-SCEZ-20M-PCR	@	WSTU-SCEZ-20M-P
205	7/8	@	WSTU-SCEZ-014-PCR*	@	WSTU-SCEZ-014-P
	15/16	@	WSTU-SCEZ-015-PCR*	@	WSTU-SCEZ-015-P
	1	127540	WSTU-SCEZ-100-PCR	058940	WSTU-SCEZ-100-P
	25mm	127575	WSTU-SCEZ-25M-PCR	@	WSTU-SCEZ-25M-P
206	1-1/8	@	WSTU-SCEZ-102-PCR*	@	WSTU-SCEZ-102-P
	1-3/16	127541	WSTU-SCEZ-103-PCR	@	WSTU-SCEZ-103-P
	1-1/4	127542	WSTU-SCEZ-104S-PCR	@	WSTU-SCEZ-104S-P
	30mm	127576	WSTU-SCEZ-30M-PCR	@	WSTU-SCEZ-30M-P
207	1-1/4	127543	WSTU-SCEZ-104-PCR	@	WSTU-SCEZ-104-P
	1-5/16	@	WSTU-SCEZ-105-PCR*	@	WSTU-SCEZ-105-P
	1-3/8	@	WSTU-SCEZ-106-PCR*	073836	WSTU-SCEZ-106-P
	1-7/16	127544	WSTU-SCEZ-107-PCR	@	WSTU-SCEZ-107-P
	35mm	127577	WSTU-SCEZ-35M-PCR	@	WSTU-SCEZ-35M-P

FEATURES/BENEFITS
PAGE B2-3

HOW TO ORDER/NOMENCLATURE
PAGE B2-8

SELECTION/DIMENSIONS
PAGE B2-24

ACCESSORIES
PAGE B2-77

SELECTION/DIMENSIONS



E-Z KLEEN Mounted Bearings

SCEZ NORMAL DUTY POLYMER HOUSED WIDE SLOT TAKE-UP BEARINGS

Series	Shaft Size	Weight Lbs kg	Take-Up Frame No. Ref.	A	B	C	D	E	F Thd Shaft	G
204	1/2	0.86	WS300	1.23	3.81	0.545/0.515	2.10	2.50	5/8	0.56
	5/8	0.76		31.2	96.8	13.84/13.08	53.3	63.5	15.9	14.2
	3/4	0.66								
	20mm	0.31								
205	7/8	0.92	WS300	1.34	3.97	0.545/0.515	2.20	2.56	5/8	0.56
	15/16	0.82		34.0	100.8	13.84/13.08	55.9	65.0	15.9	14.2
	1	0.72								
	25mm	0.34								
206	1-1/8	1.11	WS308	1.52	4.49	0.545/0.515	2.29	2.86	3/4	0.56
	1-3/16	1.09		38.6	114.0	13.84/13.08	58.2	72.6	19.1	14.2
	1-1/4	1.07								
	30mm	0.49								
207	1-1/4	1.58	WS308	1.71	4.99	0.545/0.515	2.25	3.10	3/4	0.56
	1-5/16	1.52		43.4	126.7	13.84/13.08	57.2	78.7	19.1	14.2
	1-3/8	1.47								
	1-7/16	1.42								
	35mm	0.69								

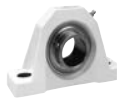
Series	Shaft Size	H	J	K	L	M	N	R	S	T
204	1/2	0.65	2.10	0.71	1.12	3.015/2.985	3.63	0.50	0.73	1.38
	5/8									
	3/4									
	20mm	16.5	53.3	18.0	28.4	76.58/75.82	92.2	12.7	18.5	35.1
205	7/8	0.65	2.12	0.71	1.32	3.030/3.000	3.63	0.56	0.78	1.38
	15/16									
	1									
	25mm	16.5	53.8	18.0	33.5	76.96/76.20	92.2	14.2	19.8	35.1
206	1-1/8	0.65	2.41	0.81	1.57	3.525/3.495	4.20	0.58	0.94	1.62
	1-3/16									
	1-1/4									
	30mm	16.5	61.2	20.6	39.9	89.54/88.77	106.7	14.7	23.9	41.1
207	1-1/4	0.65	2.41	0.81	1.84	3.540/3.510	4.20	0.67	1.04	1.62
	1-5/16									
	1-3/8									
	1-7/16									
	35mm	16.5	61.2	20.6	46.7	89.93/89.15	106.7	17.0	26.4	41.1

@ Assembled to order

* 20 piece minimum

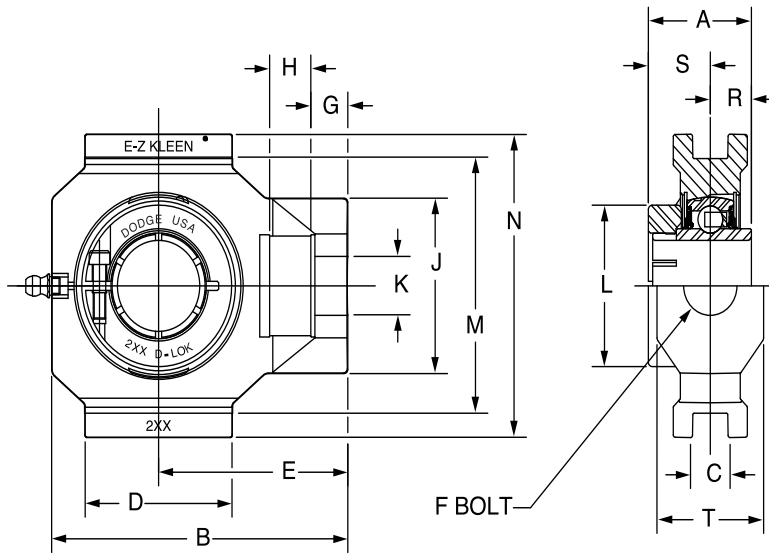
FEATURES/BENEFITS PAGE B2-3	HOW TO ORDER/NOMENCLATURE PAGE B2-8	SELECTION/DIMENSIONS PAGE B2-24	ACCESSORIES PAGE B2-77
--------------------------------	--	------------------------------------	---------------------------

B2-69



SELECTION/DIMENSIONS

E-Z KLEEN Mounted Bearings DLEZ NORMAL DUTY POLYMER HOUSED WIDE SLOT TAKE-UP BEARINGS



Series	Shaft Size	With Corrosion Resistant Insert		Standard Insert With Flingers		Weight lbs kg	Take-Up Frame No. Ref.	A	B	C	D	E
		Part No.	Description	Part No.	Description							
204	3/4	127617	WSTU-DLEZ-012-PCR	@	WSTU-DLEZ-012-P	0.66	WS300	1.28	3.81	0.530	2.10	2.50
	20mm	127652	WSTU-DLEZ-20M-PCR	@	WSTU-DLEZ-20M-P	0.31		32.5	96.8	13.46	53.3	63.5
205	7/8	@	WSTU-DLEZ-014-PCR*	@	WSTU-DLEZ-014-P	0.92	WS300	1.44	3.97	0.530	2.20	2.56
	15/16	@	WSTU-DLEZ-015-PCR*	@	WSTU-DLEZ-015-P	0.82		0.82				
	1	127618	WSTU-DLEZ-100-PCR	@	WSTU-DLEZ-100-P	0.72		0.72				
	25mm	127653	WSTU-DLEZ-25M-PCR	@	WSTU-DLEZ-25M-P	0.34		36.6	100.8	13.46	55.9	65.0
206	1-1/8	@	WSTU-DLEZ-102-PCR*	@	WSTU-DLEZ-102-P	1.11	WS308	1.56	4.49	0.530	2.29	2.86
	1-3/16	127619	WSTU-DLEZ-103-PCR	@	WSTU-DLEZ-103-P	1.09		1.09				
	1-1/4	127620	WSTU-DLEZ-104S-PCR	@	WSTU-DLEZ-104S-P	1.07		1.07				
207	30mm	127654	WSTU-DLEZ-30M-PCR	@	WSTU-DLEZ-30M-P	0.49	WS308	39.6	114.0	13.46	58.2	72.6
	1-1/4	127621	WSTU-DLEZ-104-PCR	@	WSTU-DLEZ-104-P	1.58		1.75	4.99	0.530	2.25	3.10
	1-3/8	@	WSTU-DLEZ-106-PCR*	@	WSTU-DLEZ-106-P	1.47		1.47				
	1-7/16	127622	WSTU-DLEZ-107-PCR	@	WSTU-DLEZ-107-P	1.42		1.42				
	35mm	127655	WSTU-DLEZ-35M-PCR	@	WSTU-DLEZ-35M-P	0.69		44.5	126.7	13.46	57.2	78.7

@ Assembled to order

Series	Shaft Size	F Thd Shaft	G	H	J	K	L	M	N	R	S	T
204	3/4	5/8	0.56	0.65	2.10	0.71	1.71	3.015/2.985	3.63	0.50	0.78	1.38
	20mm	15.9	14.2	16.5	53.3	18.0	43.4	76.58/75.82	92.2	12.7	19.8	35.1
205	7/8	5/8	0.56	0.65	2.12	0.71	1.99	3.030/3.000	3.63	0.56	0.88	1.38
	15/16	15.9	14.2	16.5	53.8	18.0	50.5	76.96/76.20	92.2	14.2	22.4	35.1
206	1	3/4	0.56	0.65	2.41	0.81	2.22	3.525/3.495	4.20	0.58	0.98	1.62
	25mm	19.1	14.2	16.5	61.2	20.6	56.4	89.54/88.77	106.7	14.7	24.9	41.1
	30mm	19.1	14.2	16.5	61.2	20.6	56.4	89.54/88.77	106.7	14.7	24.9	41.1
207	1-1/8	3/4	0.56	0.65	2.41	0.81	2.69	3.540/3.510	4.20	0.67	1.08	1.62
	1-3/8	19.1	14.2	16.5	61.2	20.6	68.3	89.93/89.15	106.7	17.0	27.4	41.1
	1-7/16	19.1	14.2	16.5	61.2	20.6	68.3	89.93/89.15	106.7	17.0	27.4	41.1

FEATURES/BENEFITS PAGE B2-3	HOW TO ORDER/NOMENCLATURE PAGE B2-8	SELECTION/DIMENSIONS PAGE B2-24	ACCESSORIES PAGE B2-77
--------------------------------	--	------------------------------------	---------------------------

Bearing Reference Guide

ULTRA KLEEN

E-Z KLEEN

Extreme Duty

Setscrew Ball Bearing

GRIP TIGHT

D-LOK Ball Bearing